

PST EFSNK BN TO

PISTACHIO Tap Range Pistachio Easyfit Monobloc Sink Mixer Brushed Nickel Tap Only



Features:

- Long life ceramic cartridge for added durability and ease of use
- Product supplied without Easyfit base
- Minimum working pressure of 0.3 bar

Product Certifications:



WRAS Certificate No: 1912906
WRAS Expiry Date: 31/12/2024



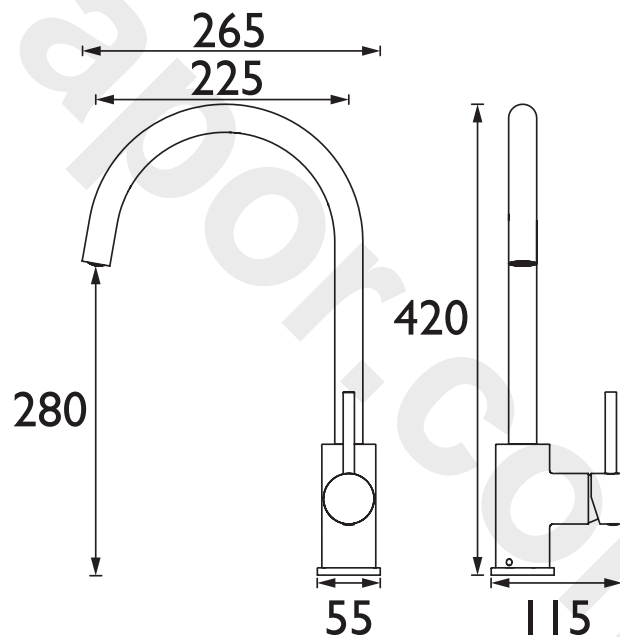
For more products, visit our website:
<http://www.bristan.com>



Specification

| | |
|-----------------------------------|-----------------------------------|
| Product Type: | Kitchen Taps |
| Main Construction Material: | Brass |
| Mount Type: | Deck Mounted |
| Handle Type: | Lever Handles |
| Connection Inlet: | 1/2" BSP Flexible Tails |
| Connection Outlet: | Anti-Splash |
| Number of Tap Holes: | 1 |
| Valve/Cartridge Type: | 35mm Cartridge |
| Plumbing System Requirements: | Suitable for all plumbing systems |
| Minimum Dynamic Pressure (bar): | 0.3 bar |
| Maximum Dynamic Pressure (bar): | 5.0 bar |
| Maximum Hot Water Temperature °C: | 65°C |
| Maximum Static Pressure (bar): | 10 bar |
| Flow Type: | Single |
| Isolation Included: | Yes |

Dimensions (measurements in mm)



Flow Rates (l/min)

| System Pressure (bar) | 0.3 | 0.5 | 1 | 2 | 3 | 5 |
|-------------------------|-----|-----|------|------|------|------|
| PST EFSNK BN TO (mixed) | 7.6 | 9.8 | 13.8 | 19.5 | 23.9 | 30.9 |

TECHNICAL DATA SHEET



BRISTAN

D3